

## MTM SHA · SCHAEFFER GAUGE



### ATEX AVAILABLE

Diaphragm gauge for measurement of pressure and vacuum of crystallizable fluids, Viscous or corrosive, for example acid and paint. The measurement of pressure / vacuum is through sensitive element (diaphragm) that provides the movement needed to mechanism amplification through one hub. It's possible to equip this gauge with a third flange that allows inspection and cleaning of the sensitive element.

- Nominal diameter: 100 and 150 (mm)
- Precision: 1,6% EN837
- Operating temperature: environment -40°C/+65°C  
process fluid +100°C
- Thermal drift: +/-0,6% of the EOS for each variation of 10°C compared to the temperature of 20°C
- Overpressure: max 25% of the end of scale value  
[Optional: improved overpressure resistance]
- Elastic element: AISI316L diaphragm  
[Optional: Hastelloy C276, Monel400, PTFE coating]
- Transmission shaft: Inox
- Flanges: lower: AISI316L, upper: AISI304  
[Optional: Hastelloy C276, Monel400, PVC, Moplen, PTFE, flanged connection, third flange for inspection and cleaning]
- Process connection: AISI316L 1/2" Gas / Npt  
[Optional: Hastelloy C276, Monel400, flanged connection]
- Level of protection: IP65
- Casing: AISI304 case and ring, bayonet system  
[Optional: AISI316]
- Gearing: AISI304 made in Germany
- See-through: glass, Makrolon shell if electrical contacts required [Optional: safety glass]
- See-through seal: EPDM
- Pointer: black aluminum with micrometer
- Dial: white aluminium with black writing  
[Optional: non-standard range and special dial even with logo]
- Monunting: direct

## MTM SHA · SCHAEFFER GAUGE

FLANGE DIAMETER	RANGE
98mm	0/400mbar ... 0/25bar
110mm	0/160mbar ... 0/300mbar
150mm	0/25mbar ... 0/100 mbar
165mm	<25mbar

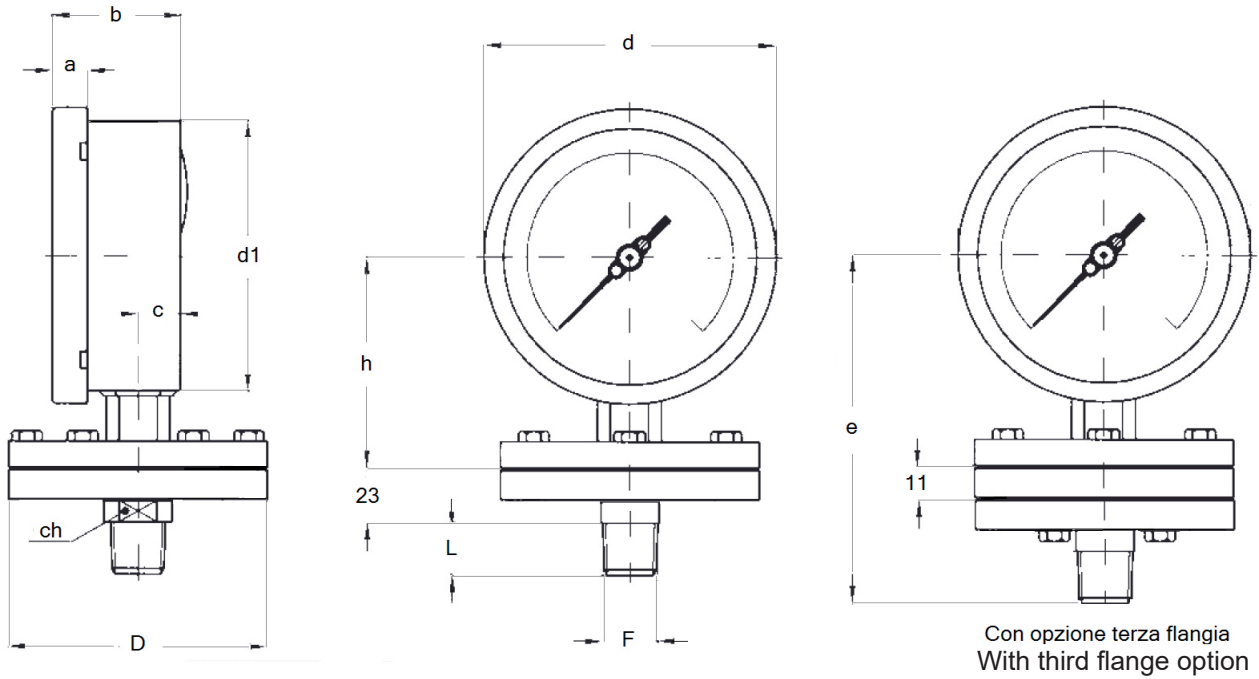
Other ranges and units available on request

## OPTIONALS

SIGLA	OPTIONAL	NOTE
X	ATEX certificate	-
T	Calibration certificate	-
O	Degreasing for Oxygen use	-
G	Case filled with glycerine	T.amb. +15°C/+65°C, process fluid max 65°C
S	Case filled with silicone oil	T.amb. -40°C/+65°C, process fluid max 120°C
L	Case filled with fluorinated fluid	T.amb. -40°C/+65°C, process fluid max 65°C
I	Electric contact	Available PTB 99 ATEX 2219 X
A	AISI316L case and ring	-
M	Monel 400 wetted parts	-
H	Hastelloy C276 wetted parts	-
P	PTFE wetted parts	PTFE coated diaphragm or other option
C	Moplen wetted parts	-
V	PVC wetted parts	-
N	Tantalum diaphragm	-
R	Third flange for inspection and cleaning	-
F	Fluid separator	According to standard tables or pattern
E	Safety glass	
B	By-Pass and manifold	Atex available
D	Non-standard process connection	-

## MTM SHA · SCHAEFFER GAUGE

Radial direct mounting

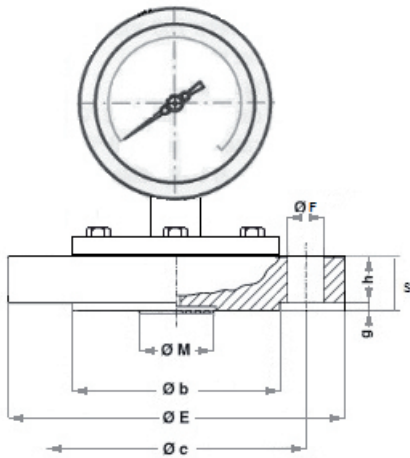


DN	Range (mbar)	a	b	c	d	d1	D	e	h	L
100	<25	14,5	50	16,5	113	99	165	147	90	20
150	<25	15,5	54	18	163	148	165	161	112	20
100	0/25 .. 0/100	14,5	50	16,5	113	99	150	147	90	20
150	0/25 .. 0/100	15,5	54	18	163	148	150	161	112	20
100	0/160 .. 0/300	14,5	50	16,5	113	99	110	147	90	20
150	0/160 .. 0/300	15,5	54	18	163	148	110	161	112	20
100	>300	14,5	50	16,5	113	99	98	147	90	20
150	>300	15,5	54	18	163	148	98	161	112	20

F: 1/2" Gas or 1/2" NPT,  
Other process connection available  
mm measures

## MTM SHA · MANOMETRO SCHAEFFER

EN 1092 Standard (mm) ATEX available

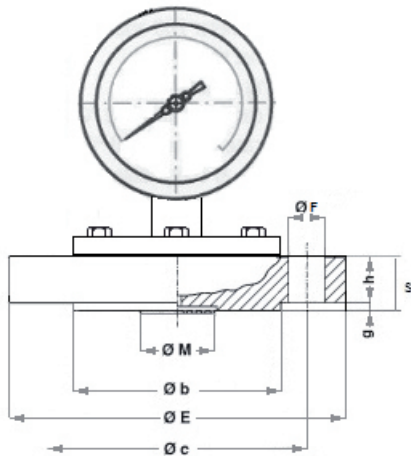


DN	PN/Bar	E	c	b	g	h	F	M
25	10/16,25/40	115	85	68	2	16	14	30
25	63/100	140	100	68	2	22	18	30
40	10/16,25/40	150	110	88	2	16	18	40
40	63/100	170	125	88	2	24	22	40
50	10/16	165	125	102	2	16	18	50
50	25/40	165	125	102	2	18	18	50
50	63	180	135	102	2	24	22	50
50	100	195	145	102	2	26	26	50
80	10/16	200	160	138	2	18	18	65
80	25/40	200	160	138	2	22	18	65
80	100	230	180	138	2	30	26	65

AISI316L, Hastelloy C276, Monel 400 and others materials available flange

## MTM SHA · MANOMETRO SCHAEFFER

ASME Standard (inches) ATEX available



DN	Class	E	c	b	g	h	F	M
1"	150	4,33	3,13	2	0,08	0,5	0,63	1,18
1"	300	4,92	3,5	2	0,08	0,63	0,75	1,18
1"	600	4,92	3,5	2	0,28	0,69	0,75	1,18
1"	900/1500	5,91	4	2	0,28	1,13	1	1,18
1"1/2	150	4,92	3,87	2,87	0,08	0,63	0,63	1,57
1"1/2	300	6,1	4,5	2,87	0,08	0,75	0,87	1,57
1"1/2	600	6,1	4,5	2,87	0,28	0,88	0,87	1,57
1"1/2	900/1500	7,09	4,87	2,87	0,28	1,25	1,12	1,57
2"	150	5,91	4,75	3,63	0,08	0,69	0,75	1,97
2"	300	6,5	5	3,63	0,08	0,81	0,75	1,97
2"	600	6,5	5	3,63	0,28	1	0,75	1,97
2"	900/1500	8,46	6,5	3,63	0,28	1,5	1	1,97
3"	150	7,48	6	5	0,08	0,88	0,75	2,56
3"	300	8,27	6,63	5	0,08	1,06	0,87	2,56
3"	600	8,27	6,63	5	0,28	1,25	0,87	2,56
3"	900	9,45	7,5	5	0,28	1,5	1	2,56
3"	1500	9,45	8	5	0,28	1,88	1,26	2,56

AISI316L, Hastelloy C276, Monel 400 and others materials available flange